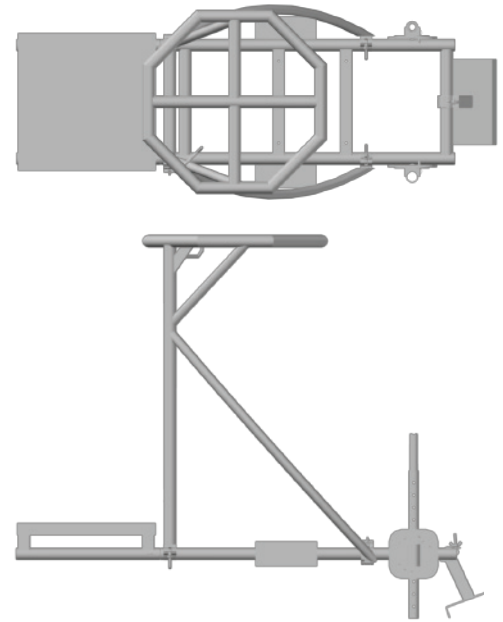


Spot Chair

CAD Renders



Product Features

