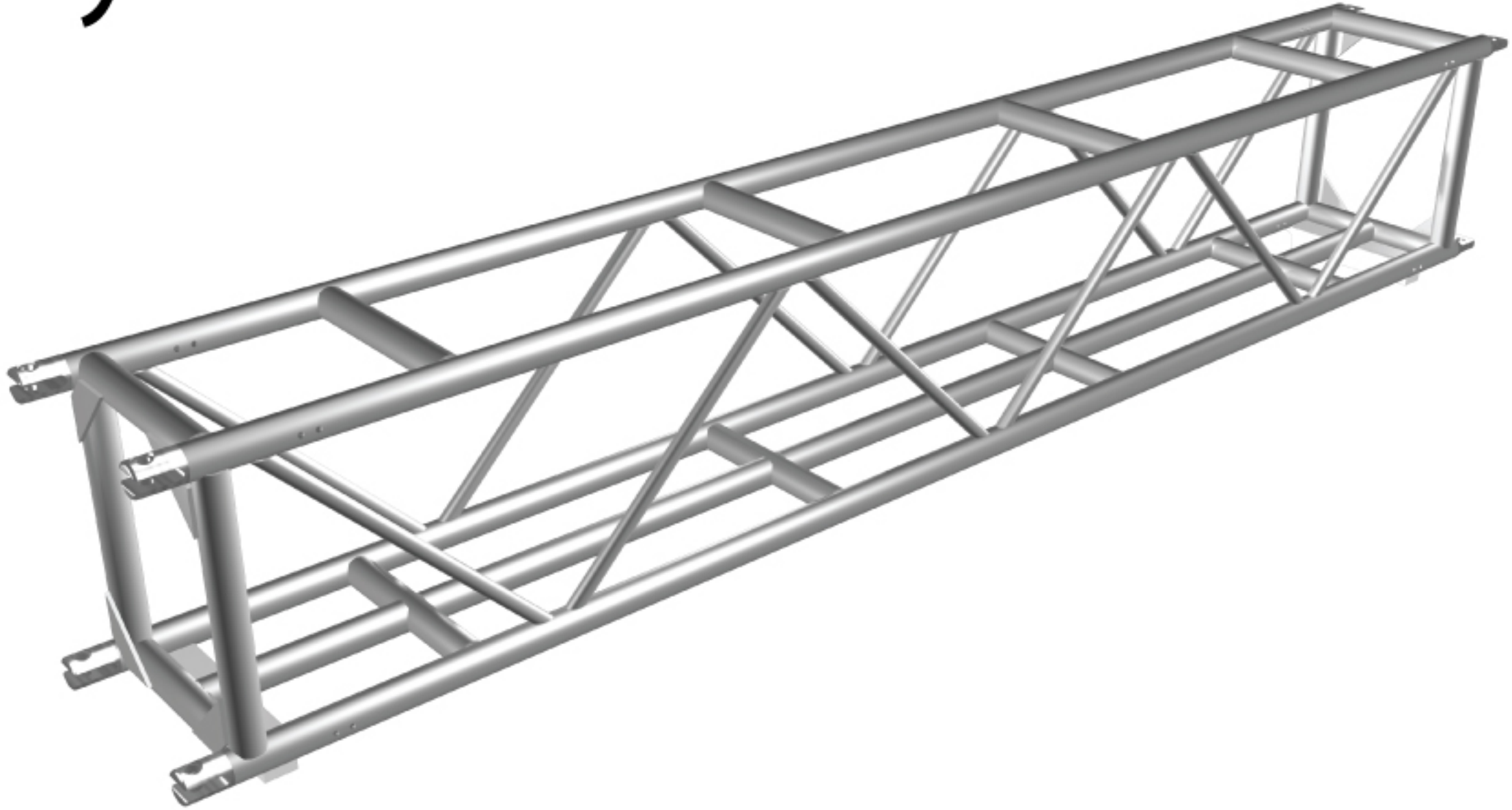


Tyler Centerline®



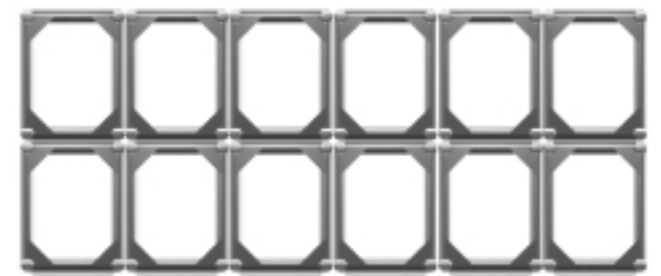
Tyler Truss Systems, Inc. introduces the new Tyler Centerline™ truss, a revitalization of standard box truss designs. Centerline™ truss replaces the traditional 20.5" box truss with a 16" wide by 20" design that is actually stronger than its predecessor. With this form factor Tyler Centerline™ is capable of increasing 20.5" truss truck pack density by 50%. A center cord along the bottom allows technicians to hang lighting, projection, or other fixtures at the truss' natural center of gravity. Simply put: No more truss roll. Horizontally oriented spigot connections allow for quick and easy assembly of long truss runs and corner blocks will no longer be necessary to create non-load bearing corners. Oversized locators on the bottom of each end "lock" Tyler Centerline™ for safer stacking when transporting the truss.



**Center Cord for Equally
Distributed Fixture Hangs**

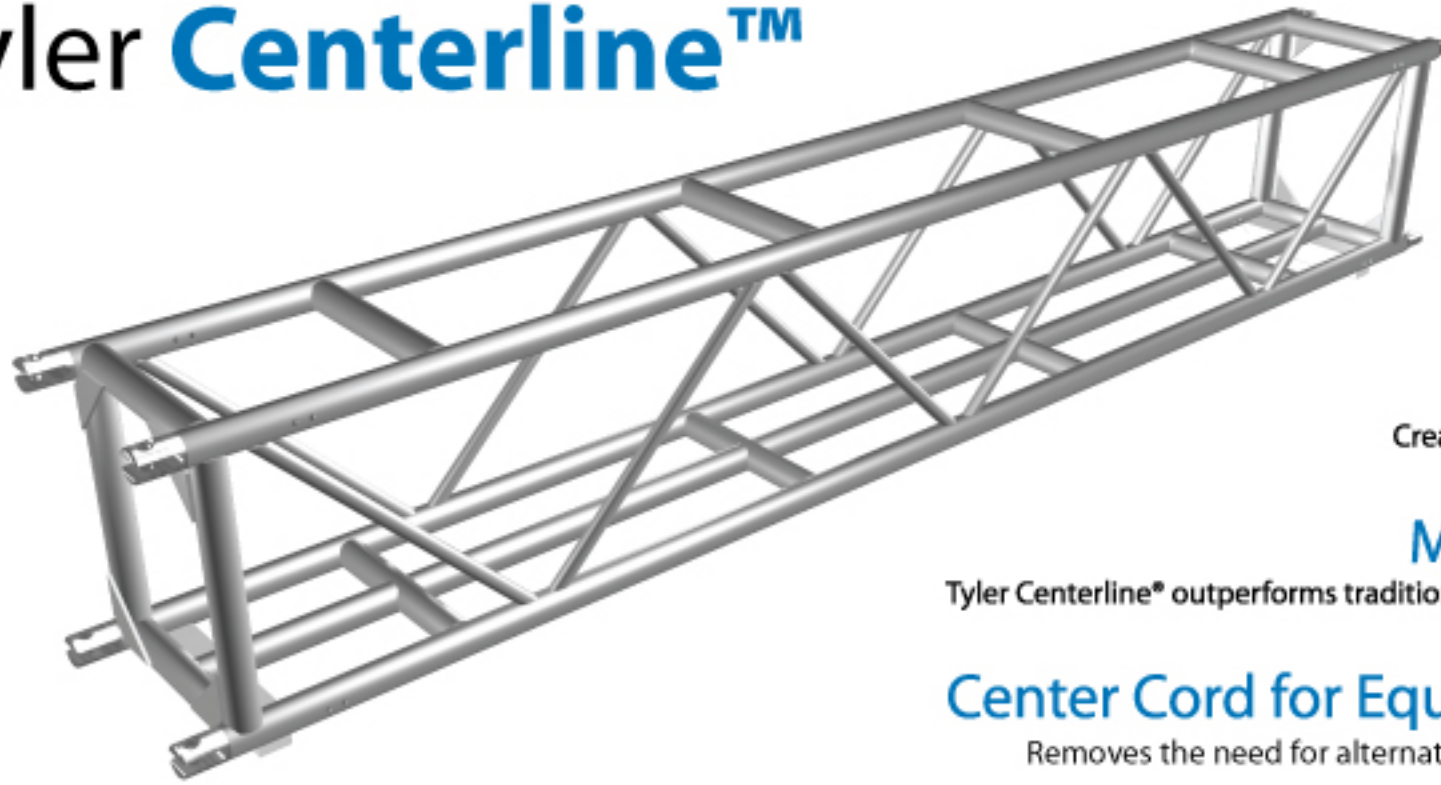


**Horizontal Spigots Make
Corner Blocks Obsolete**



**16" x 20" Design for More
Dense Truck Packs**

Tyler Centerline™



Horizontal Spigots

Creative, dramatic corners without corner blocks

More Dense Truck Packs

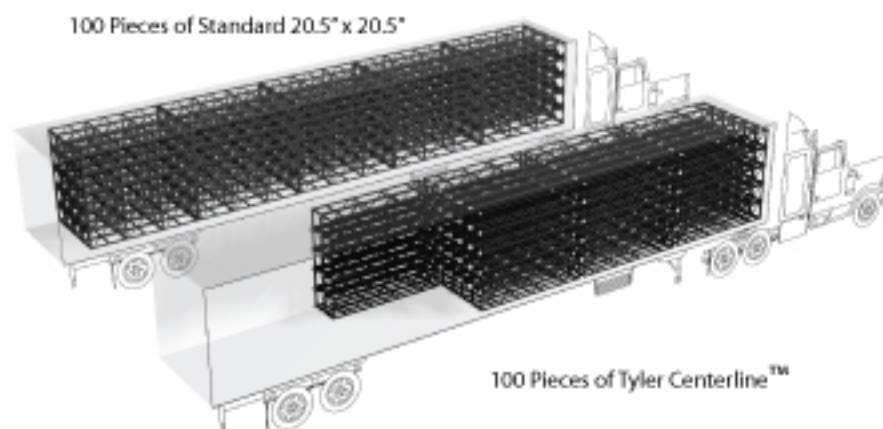
Tyler Centerline® outperforms traditional 20.5" fork end truss with a slimmer profile

Center Cord for Equally Distributed Hangs

Removes the need for alternating fixture hangs with a center hang point

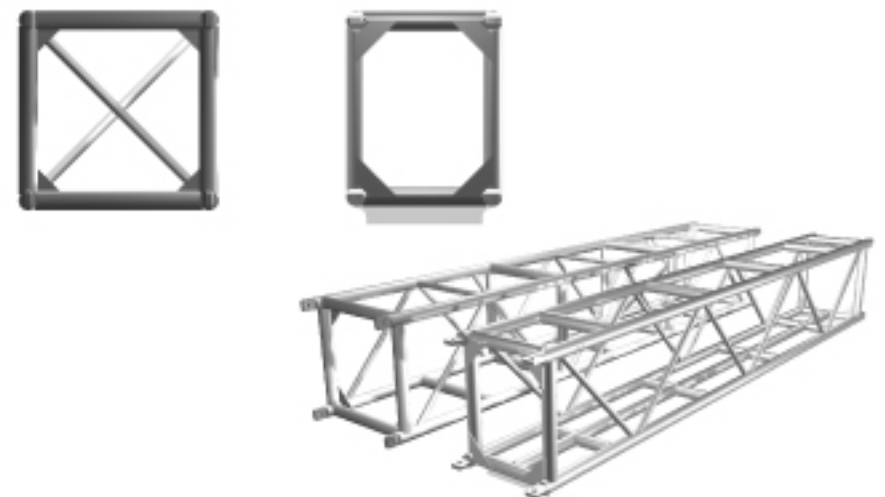
Truck Pack Comparison

Tyler Centerline™ creates more efficient truck packs than 20.5" fork end truss



Size Comparison

Tyler Centerline™ compared to 20.5" fork end truss



Load Data Comparison

Tyler Centerline™ outperforms standard 20.5" fork end box truss

	Uniformly Distributed Load		Center Point Load		3rd Point Load		Quarter Point Load	
	Load (plf)	Defl (in)	Load (lbs)	Defl (in)	Load (lbs)	Defl (in)	Load (lbs)	Defl (in)
10'								
Tyler Centerline™	713	0.04	4916	0.05	2959	0.05	1973	0.05
20.5" Fork End Truss	492	0.13	4720	0.17	2360	0.14	1570	0.11
20'								
Tyler Centerline™	352	0.37	3176	0.27	2049	0.3	1365	0.28
20.5" Fork End Truss	236	0.44	2700	0.43	2320	0.58	1550	0.55
30'								
Tyler Centerline™	208	1.13	2288	0.69	1529	0.78	1020	0.73
20.5" Fork End Truss	155	1.32	2500	1.16	1400	1.08	1410	1.56
40'								
Tyler Centerline™	113	2.01	1737	1.31	1187	1.51	791	1.41
20.5" Fork End Truss	88	2.31	1776	1.93	1330	2.38	890	2.24
50'								
Tyler Centerline™	61	2.84	1354	2.14	939	2.48	626	2.32
20.5" Fork End Truss	56	3.66	1600	3.41	1030	3.66	780	3.77